

Pump Controller 701

2.21

General



The Pump Controller 701P is a compact unit for level control of 1 pump and 1 level alarm, or 2 alternating pumps.

The Pump Controller 701P is designed for DIN-rail mounting. The Pump Controller 701P is supplied either complete with sensor, cable bracket or as a separate unit.

A suitable sensor for Pump Controller 701P is the pressure transmitter type 7060 or type 7070.

Special features

- The Pump Controller 701P is supplied with a hydrostatic pressure transmitter with measuring ranges of 3, 10 or 30 m.
- Pump Controller 701P is calibrated via the front panel. The setting values are read on a voltmeter connected to the test sockets on the front where 0 - 3 V corresponds 0 - 3 / 0 - 30 m and 0 - 1 V corresponds to 0 - 10 m.
- The pressure transmitter 7060 is made of polypropylene and is suited for measurement in waste water and sludge.
- The pressure transmitter 7070 is of stainless steel with a small outer diameter and is used for clean liquids, eg. in water drillings.

Application

The Pump Controller 701P is designed for measurement and control of levels in tanks, containers and drillings. The Pump Controller 701P is used for control of pumps in pumping stations, sewage plants, water

works and the processing industry. In general the Pump Controller 701P is used for control of 1 pump with 1 level alarm or 2 pumps between adjustable levels.

Function

In the electronic unit of the 701P the signal from the sensor is amplified to a level proportional signal. The level proportional

signal is used for setting of values for start and stop of the pump and the level alarm.

Specifications

Pump controller 701P

Measuring range: 4-20 mA (0 - 3 m / 0 - 10 m / 0 - 30 m)

Supply: 220 - 240 V AC or 110 - 130 V AC

Temperature: - 20 ... + 60 °C

Input signal: From pressure transmitter (4 - 20 mA)

Accuracy: ± 0.5 %

Outputs: 2 relays with voltage free change-over switch
250 V, 4 A resistive load (inductive 100 VA)

Operation: From front panel

Dimensions: 86 x 70 x 60 mm (h x w x d)

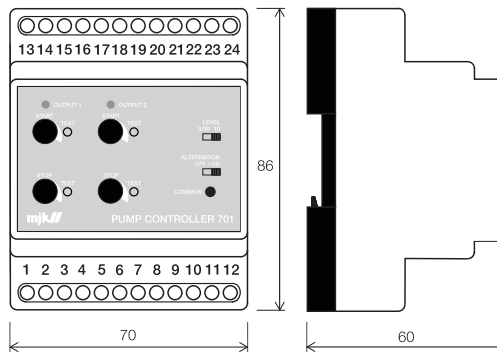
Enclosure: IP 22

Specifications

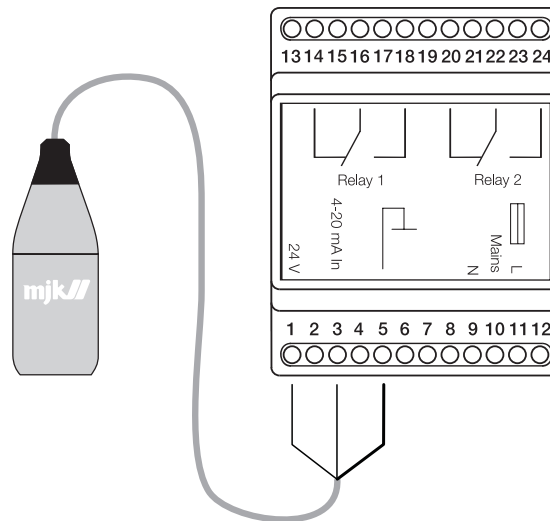
Pressure Transmitter 7060 or 7070

Measuring ranges:	0 - 3 m with pressure transmitter 7060 - 1413 or 7070 - 1413 0 - 10 m with pressure transmitter 7060 - 1423 or 7070 - 1423 0 - 30 m with pressure transmitter 7060 - 1433 or 7070 - 1433
Signal:	2-wire, 4 - 20 mA
Accuracy:	± 0.5 % of measuring range
Temperature:	- 10 ... + 60 °C
Dimensions:	Type 7060: dia. 60 x 140 mm Type 7070: dia. 22 x 150 mm
Material:	Type 7060: House in PP, diaphragm in acid proof steel (AISI 316L) Type 7070: House and diaphragm in acid proof steel (AISI 316L)
Cable:	2 x 0,5 mm ² , Length = 12 m, (7060 / 7070 - 1433: 35 m), can be extended.
Mounting:	Suspended on bracket
Enclosure:	IP 68, water proof, max. 3 bar.

Dimensions



Connection



Order numbers

201950	Pump Controller 701 P without sensor (4 - 20 mA input)
201955	Pump Controller 701 P, 0 - 3 m, complete with 7060 pressure transmitter
201956	Pump Controller 701 P, 0 - 10 m, complete with 7060 pressure transmitter
201967	Pump Controller 701 P, 0 - 30 m, complete with 7060 pressure transmitter
202071	Pump Controller 701 P, 0 - 3 m, complete with 7070 pressure transmitter
202072	Pump Controller 701 P, 0 - 10 m, complete with 7070 pressure transmitter
202073	Pump Controller 701 P, 0 - 30 m, complete with 7070 pressure transmitter