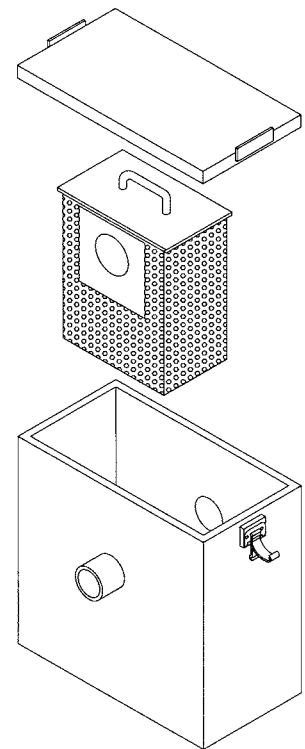


Kitchen Waste Strainer Baskets

Economical and Effective Pre-Treatment

Low Engineering



Strainer Baskets - Kitchen Wastewater

Pre-Treatment

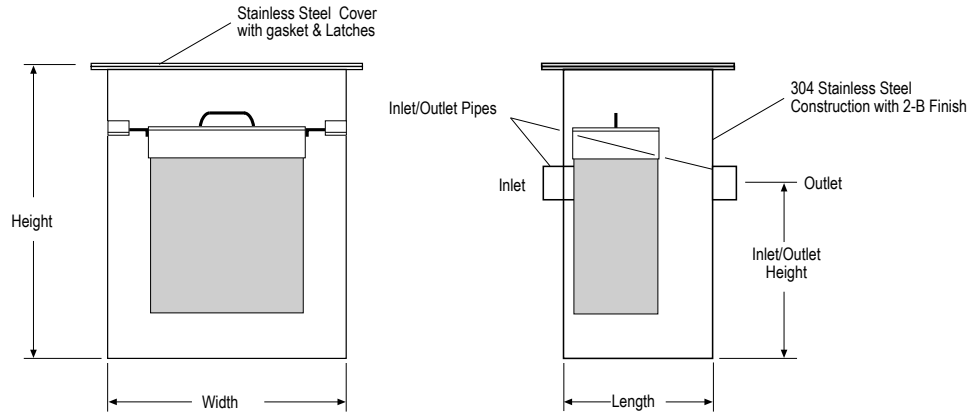
Low Engineering Strainer Baskets are designed to intercept and remove larger food particles discharged from food service facilities and large commercial/institutional kitchens, which might interfere with the proper drainage and treatment of municipal wastewater.

Strainer Baskets are relatively small, which allows installation in a kitchen under a sink or elsewhere. Strainer Baskets are designed to be used in conjunction with our Automatic and Manual Grease Interceptors as a pre-treatment device providing primary collection of the solid food particles from a kitchen's waste water flow.

In operation, solid food particles are collected in the Strainer Basket allowing the flow to pass into either an Automatic or Manual Grease Interceptor for FOG separation and removal. Since grease is lighter than water, some grease will accumulate in the Strainer basket compartment and can be manually skimmed from the surface of the water. The accumulated grease can be disposed in a dumpster or recycled with other grease by a rendering firm.

Strainer Baskets are required pre-treatment by The Washington Suburban Sanitary Commission (WSSC) where grease interceptors are to be installed.

General Arrangement



Model Capacity	Length	Dimensions Width	Height	Inlet/Outlet Diameter	Inlet/Outlet Height
SB- 20	9"	1'4"	1'3.5"	2"	9"
SB- 25	9"	1'4"	1'3.5"	3"	9"
SB- H25	11"	1'5"	1'4.5"	3"	10"
SB- L25	9"	1'10"	1'3.5"	2"	6"
SB- 35	1'2"	1'6"	2'2"	3"	17"
SB- 50	1'3"	1'6"	2'8.25"	4"	1'6"
SB- 75	1'3"	1'6"	2'11.75"	4"	1'10"
SB- 100	1'3"	1'8"	2'11.75"	4"	1'10"

Advantages

- Removes and recovers nearly 100% of the solid food waste from kitchen and food processing drains.
- Constructed of stainless steel and other corrosion resistant materials - suitable for installation in almost any location.
- Easy access to interior for maintenance and cleaning.
- Eliminates costs of cleaning pipes and/or holding tanks inside and outside of the building.
- Extensive range of standard sizes and capacities; Custom manufacturing is available.



Please visit us at www.highlandtank.com

One Highland Road
Stoystown, PA 15563
814-893-5701
FAX 893-6126

4535 Elizabethtown Road
Manheim, PA 17545
717-664-0600
FAX 664-0617

958 19th Street
Watervliet, NY 12189
518-273-0801
FAX 273-1365

2700 Patterson Street
Greensboro, NC 27407
336-218-0801
FAX 218-1292

2225 Chestnut Street
Lebanon, PA 17042
717-664-0602
FAX 664-0631

1510 Stoystown Road
Friedens, PA 15541
814-443-6800
FAX 444-8662